

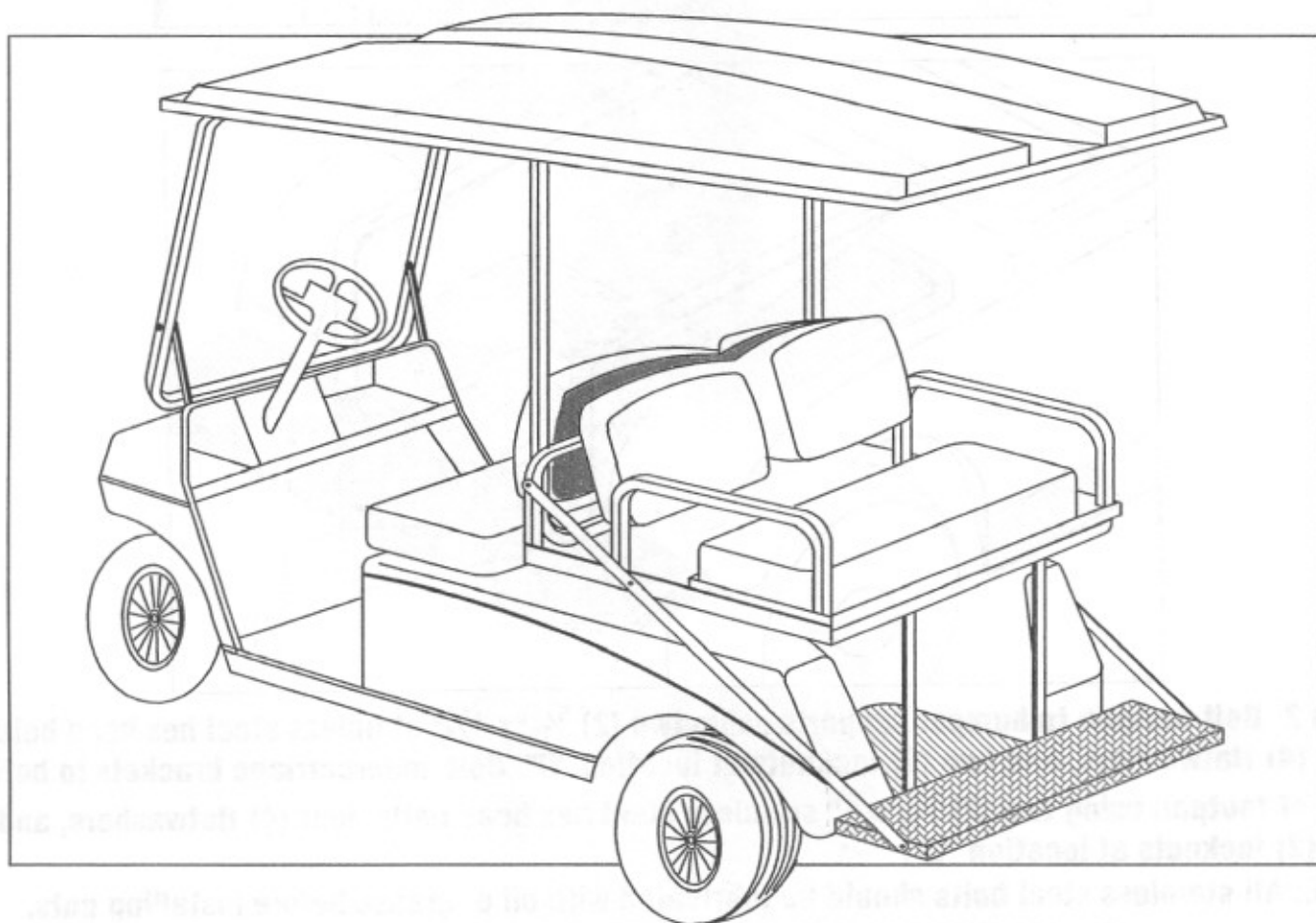
M & M VEHICLE CORP.

4 PASSENGER-PACKAGE CARRIER

PART # EC275CC/EC280CC

CLUB CAR, ECONOMY, 99 & DOWN

INSTALLATION INSTRUCTIONS



M & M VEHICLE CORP.

19873 Hwy 22 W. Mexico MO 65265
573-581-4914

TITLE:

**EC275CC/EC280CC
CLUB CAR-1999 & DOWN-ECONOMY
INSTALLATION INSTRUCTIONS**

NOTICE

THE INFORMATION CONTAINED HEREIN IS THE PROPERTY OF M & M VEHICLE CORP. AND IT SHALL NOT BE COPIED NOR USED IN ANY MANNER EXCEPT AS EXPRESSLY AUTHORIZED.

DRAWN BY:

Charlie Newland

DATE:

Dec 29, 2006

DWG NO.

3376-4

SHEET:

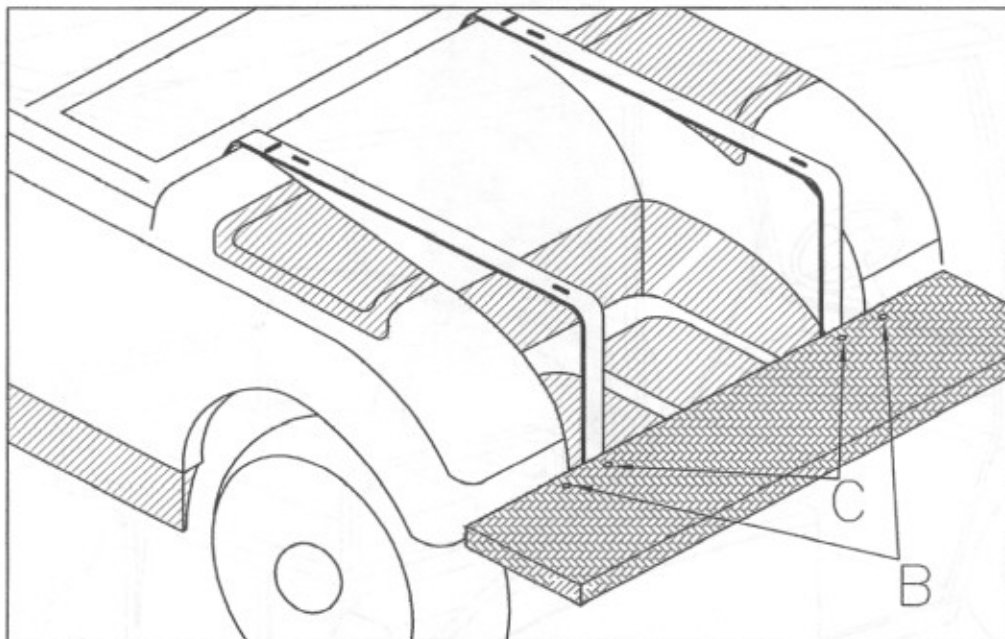
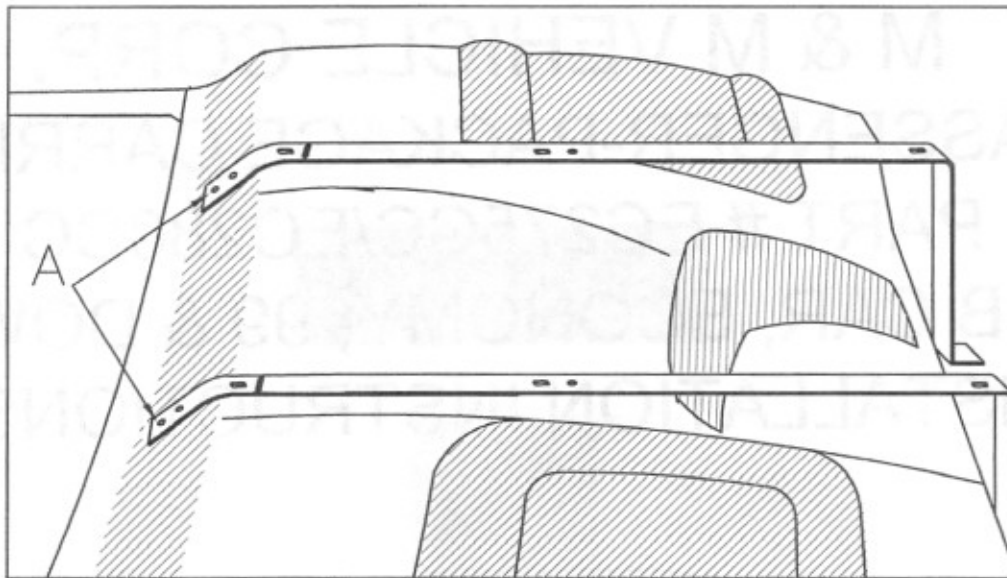
1 of 5

SCALE:

Not To Scale

Step 1. Remove bumper. Bolt undercarriage brackets (PART # 5021) to car at seat mounting holes using existing bolts and nuts at Location "A".

NOTE: There is no bolting at bumper at this time.



Step 2. Bolt footpan to bumper supports using two (2) $\frac{5}{16}$ "x $1\frac{1}{4}$ " stainless steel hex head bolts, four (4) flatwashers, and two (2) locknuts at location "B". Bolt undercarriage brackets to bottom side of footpan using two (2) $\frac{5}{16}$ "x 1" stainless steel hex head bolts, four (4) flatwashers, and two (2) locknuts at location "C".

NOTE: All stainless steel bolts should be lubricated with oil or grease before installing nuts.

DO NOT TIGHTEN BOLTS UNTIL INSTRUCTED TO DO SO.

M & M VEHICLE CORP.

19873 Hwy 22 W. Mexico MO 65265
573-581-4914

TITLE:

**EC275CC/EC280CC
CLUB CAR-1999 & DOWN-ECONOMY
INSTALLATION INSTRUCTIONS**

NOTICE

THE INFORMATION CONTAINED HEREIN IS THE PROPERTY OF M & M VEHICLE CORP. AND IT SHALL NOT BE COPIED NOR USED IN ANY MANNER EXCEPT AS EXPRESSLY AUTHORIZED.

DRAWN BY:

Charlie Newland

DATE:

Dec 29, 2006

DWG NO.

3376-4

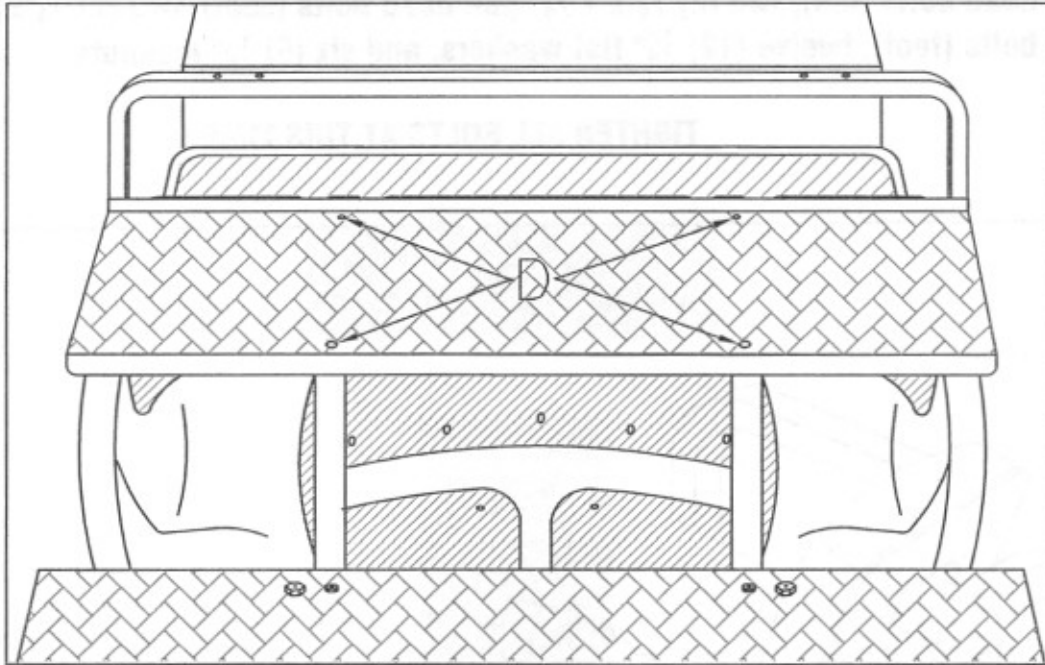
SHEET:

2 of 5

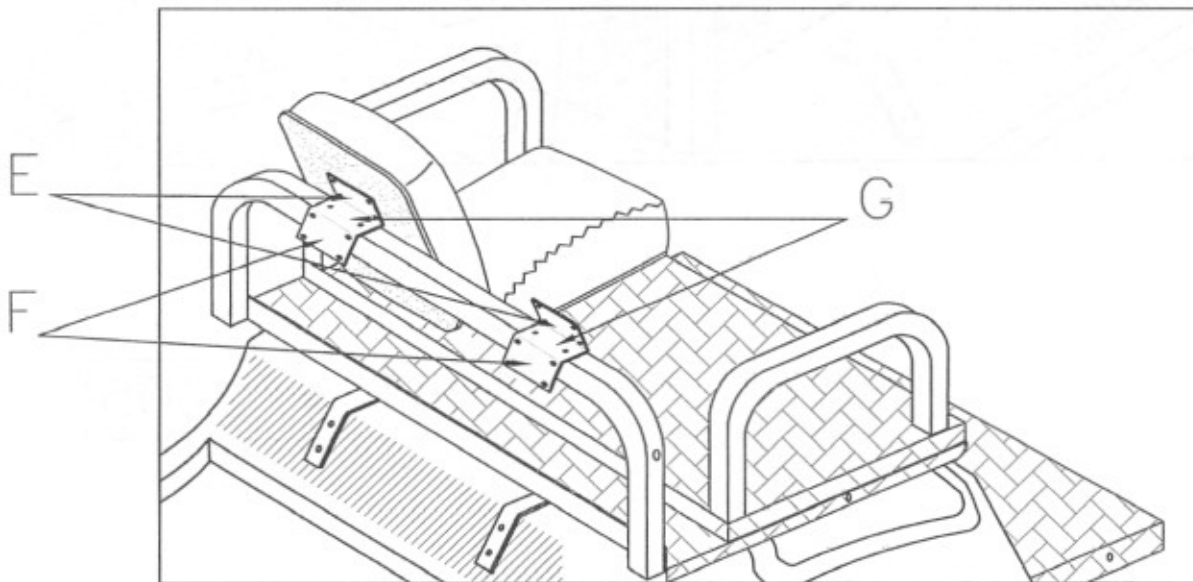
SCALE:

Not To Scale

Step 3. Install folding seat assembly to undercarriage brackets using four (4) $\frac{5}{16}$ "x1" stainless steel carriage bolts , four (4) flat washers & four (4) $\frac{5}{16}$ " stainless steel locknuts at location "D".



Step 4. Install M & M seat backs to seat back brackets (PART # 301) with 8- $\frac{1}{4}$ "x $\frac{3}{4}$ " stainless steel hex head bolts and eight (8) starwashers at location "E". Install existing seat backs to bracket with eight (8) $\frac{1}{4}$ "x $\frac{3}{4}$ " stainless steel hex head bolts and eight (8) starwashers at location "F". Bolt seat back brackets to cross bar with four (4) $\frac{5}{16}$ "x1 $\frac{3}{4}$ " stainless steel hex head bolts, eight (8) $\frac{5}{16}$ " flat washers, and four (4) $\frac{5}{16}$ " locknuts at location "G".



M & M VEHICLE CORP.

19873 Hwy 22 W. Mexico MO 65265
573-581-4914

TITLE:

**EC275CC/EC280CC
CLUB CAR-1999 & DOWN-ECONOMY
INSTALLATION INSTRUCTIONS**

NOTICE

THE INFORMATION CONTAINED HEREIN IS THE PROPERTY OF M & M VEHICLE CORP. AND IT SHALL NOT BE COPIED NOR USED IN ANY MANNER EXCEPT AS EXPRESSLY AUTHORIZED.

DRAWN BY:

Charlie Newland

DATE:

Dec 29, 2006

DWG NO.

3376-4

SHEET:

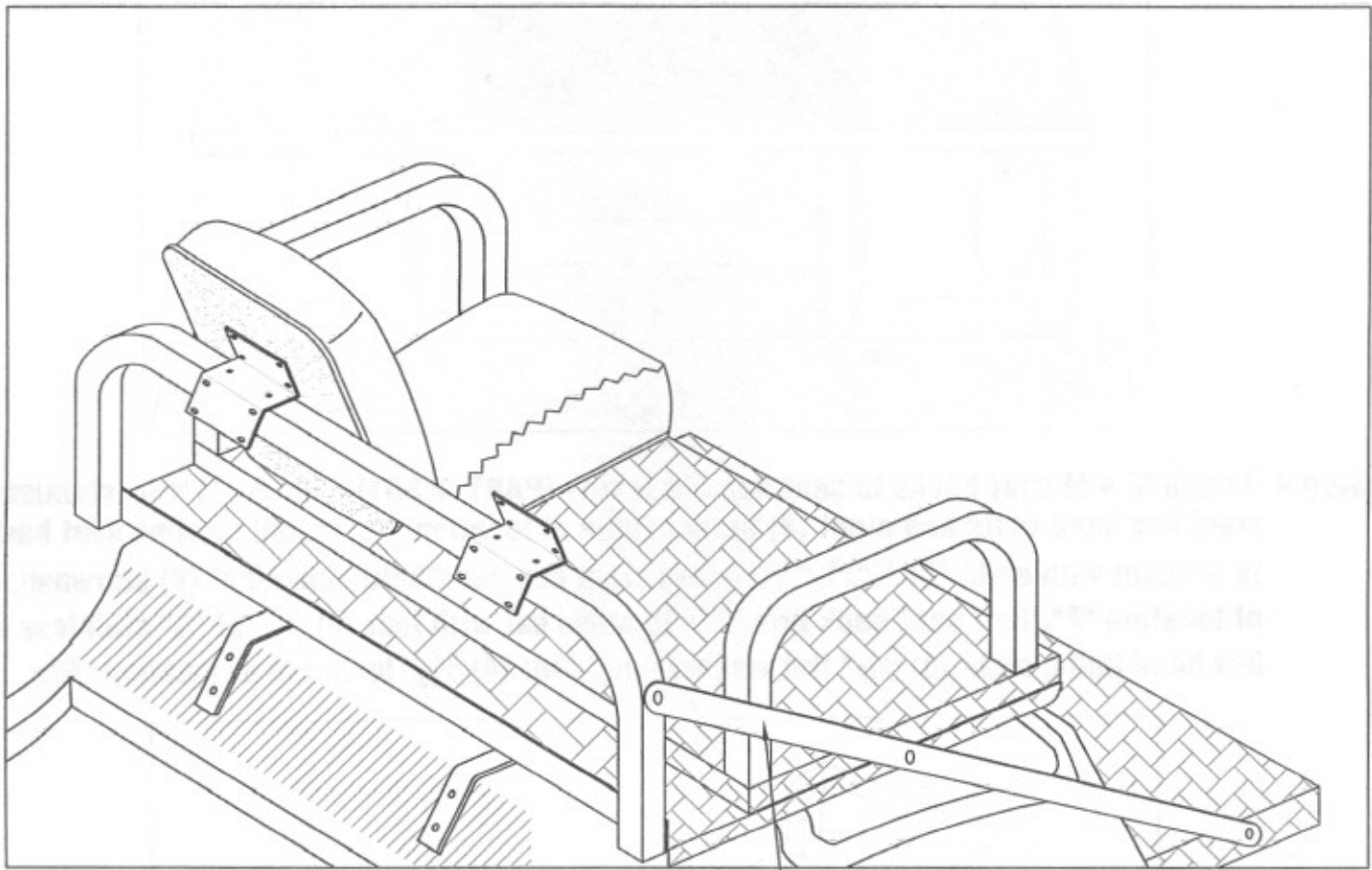
3 of 5

SCALE:

Not To Scale

Step 5. Install flat support arms (PART # 2405) on each side using two (2) 1/4"x 1 3/4" pan head bolts (top), two (2) 1/4"x 1 1/4" pan head bolts (seat), two (2) 1/4"x1" pan head bolts (foot), twelve (12) 1/4" flat washers, and six (6) 1/4" locknuts.

TIGHTEN ALL BOLTS AT THIS TIME !



PART # 2405

<p>M & M VEHICLE CORP. 19873 Hwy 22 W. Mexico MO 65265 573-581-4914</p>	<p>TITLE: EC275CC/EC280CC CLUB CAR-1999 & DOWN-ECONOMY INSTALLATION INSTRUCTIONS</p>		
<p>NOTICE THE INFORMATION CONTAINED HEREIN IS THE PROPERTY OF M & M VEHICLE CORP. AND IT SHALL NOT BE COPIED NOR USED IN ANY MANNER EXCEPT AS EXPRESSLY AUTHORIZED.</p>	<p>DRAWN BY: Charlie Newland</p>	<p>DATE: Dec 29, 2006</p>	<p>DWG NO. # 3376-4</p>
<p>SHEET: 4 of 5</p>		<p>SCALE: Not To Scale</p>	

M&M VEHICLE CORP.
ECONOMY
4 PASSENGER/PACKAGE CARRIER
PART # EC275CC/EC280CC
CLUB CAR

Bolt kit

- 20 - $\frac{5}{16}$ " flat washers
- 12 - $\frac{5}{16}$ " locknuts
- 4 - $\frac{5}{16}$ "x 1" carriage bolts
- 2 - $\frac{5}{16}$ "x 1" hex head bolts
- 2 - $\frac{5}{16}$ "x $1\frac{1}{4}$ " hex head bolts
- 4 - $\frac{5}{16}$ "x $1\frac{3}{4}$ " hex head bolts
- 16 - $\frac{1}{4}$ "x $\frac{3}{4}$ " hex head bolts
- 16 - $\frac{1}{4}$ " star washers
- 12 - $\frac{1}{4}$ " flat washers
- 2 - $\frac{1}{4}$ "x $1\frac{3}{4}$ " PPH bolts
- 2 - $\frac{1}{4}$ "x $1\frac{1}{4}$ " PPH bolts
- 2 - $\frac{1}{4}$ "x 1" PPH bolts
- 6 - $\frac{1}{4}$ " locknuts

Box kit

- Instructions
- Bolt Kit
- 2 - Undercarriage brackets (PART # 5021)
- 2 - Seat back brackets (PART # 301)

M & M VEHICLE CORP.

19873 Hwy 22 W. Mexico MO 65265
 573-581-4914

TITLE:

PART # EC275CC/EC280CC
(Bolt & Box Kit)
INSTALLATION INSTRUCTIONS

NOTICE

THE INFORMATION CONTAINED HEREIN IS THE PROPERTY OF M & M VEHICLE CORP. AND IT SHALL NOT BE COPIED NOR USED IN ANY MANNER EXCEPT AS EXPRESSLY AUTHORIZED.

DRAWN BY:

Charlie Newland

DATE:

Dec 29, 2006

DWG NO.

3376-4

SHEET:

5 of 5

SCALE:

Not To Scale